

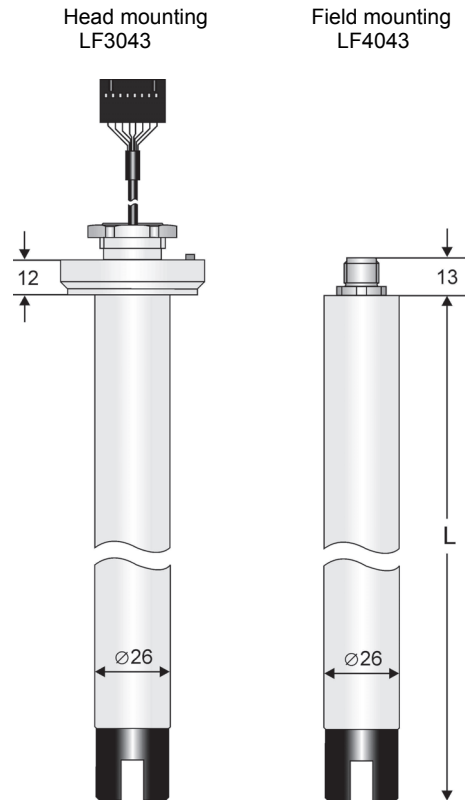
Product Information

Analysis - Conductivity

Conductivity Cell LF3043 / LF4043



Dimensions



Characteristics

- 4-electrode immersion cell for wells and open systems
- Measuring range 0..20 µS/cm up to 0..500 mS/cm
- Insensitive against soiling
- No influence from polarization effects and line resistance

Technical data

Cell constant : C = 0.5 exact cell constant labeled on the type plate
 Operating temperature : -20..60 °C
 Process material : PA polyamide, casting resin, graphite (electrodes)
Electrical connection
 LF3043 : flat cable connector, only head mounting UNICON-LF
 LF4043 : 8 pole round connector plug M12x1, IP67
 -Material : brass nickel plated
 Temperature measurement : integrated Pt1000 sensor DIN IEC751, class A

Ordering code

1. 2. 3.
 LF - C0.5 - -

1. Model	
3043	head mounting UNICON-LF
4043	field mounting
2. Process length (L) [mm]*	
300	
500	
600	
800	
1000	
3. Options	
00	without option
03	8 pole round plug SS-type

* custom length on request

Connection diagram see page Fehler: Referenz nicht gefunden

Additional accessories see page Fehler: Referenz nicht gefunden